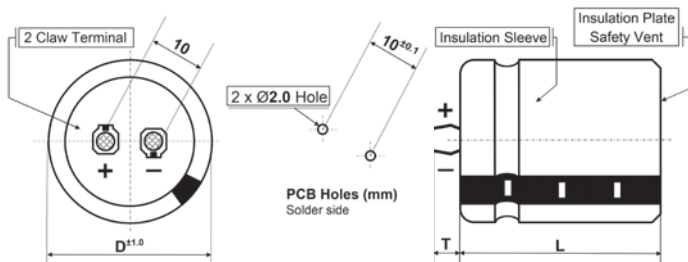
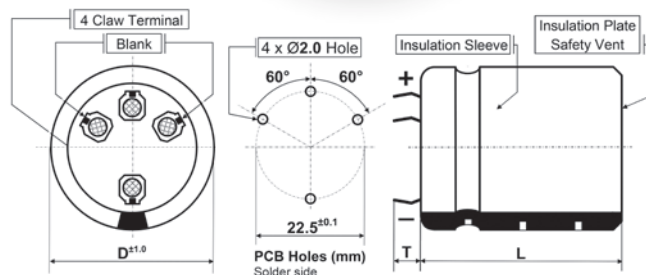
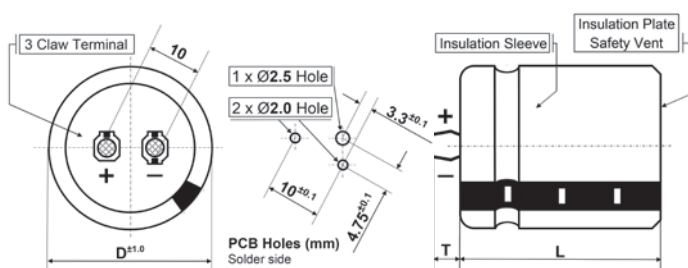


> Snap-in Outline Drawings · Snap-in Bauformen



Shape · Form: **C** (D = 20 ~ 35 mm, short pin **T** = 4.0 ± 0.5 mm)
R (D = 20 ~ 35 mm, long pin **T** = 6.3 ± 1.0 mm)



Shape · Form: **E** (D = 22 ~ 35 mm, **T** = 4.0 ± 0.5 mm)

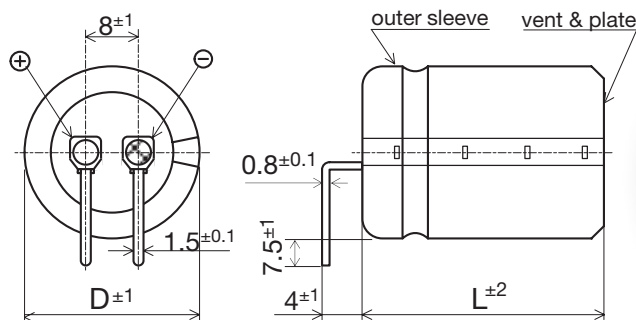
Shape · Form: **S** (D = 35 ~ 46 mm, standard **T** = 6.3 ± 1.0 mm)
X (D = 35 ~ 46 mm, short pin **T** = 4.0 ± 1.0 mm)

> Horizontal mounting · horizontale Montage

Design available for HP3, HU3, HU and HL series
 Special terminal design for applications requiring flat/low profile

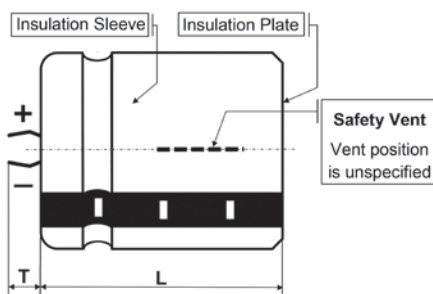
Available Case Sizes · Bauformen

Diameter (mm)	Length (mm)
22	≥ 30
25	≥ 35
30	≥ 35
35	≥ 40



> Side vent · seitliches Ventil





- standard design for CU series · serienmäßig bei CU
- optional design for HP3, HU3 & HU · auf Wunsch auch für HP3, HU3 & HU



Screw-Terminal

> Shape Code · Form Code



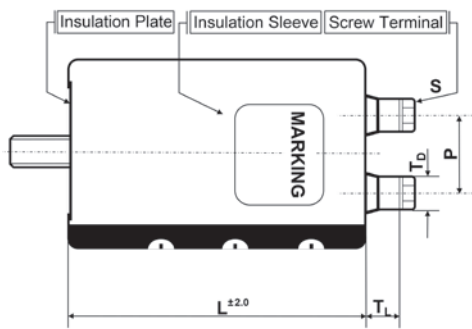
Shape Code	N	N + suffix WC	B	I or Y or X
single outer sleeve	•	•	•	•
standard or customized insulation plate	•		•	•
stud bolt for cap nut fixing			•	
bottom double sleeve for mounting with metal bracket				•
integrated seating ring and blank bottom for radiator mounting		•		
Mounting for details refer to p.149 ff Montage Montagedetails siehe S.149 ff	 <p>PBT holder/pressing/ customized mounting</p>	 <p>PBT holder for bottom cooling</p>	 <p>Cap Nut fixing</p>	 <p>metal bracket mounting</p>

> Terminal thread hole depth & tightening torques
 Gewindebohrungstiefe und Anzugsdrehmomente

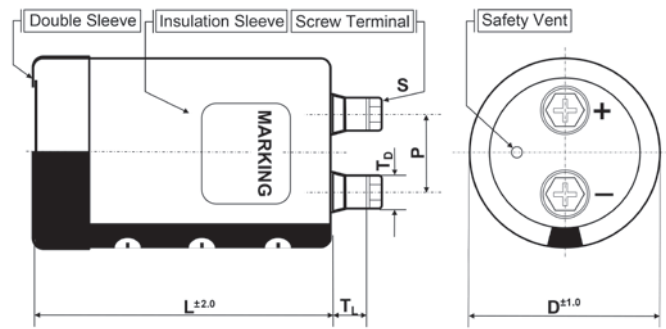
Cap material	Terminal	Series	Thread hole depth	Tightening torque		
				Recommended	Min	Max
PH	M5	HCGF5/-6, FX2/-3, HCGW/-2/-3, HCGH	9 mm	2.2 Nm	1.5 Nm	3.0 Nm
		VF(L), VG(L), VF(L)R, VG(L)R	10 mm			
	M6	all	11 mm	3.5 Nm	3.0 Nm	4.0 Nm*
PPS	M8	FX2	13 mm	7.5 Nm	7.0 Nm	8.0 Nm
	M5	all	10 mm	2.2 Nm	1.5 Nm	3.0 Nm
		M6	all			

* 6.0 Nm when Screw-In depth >= 9mm

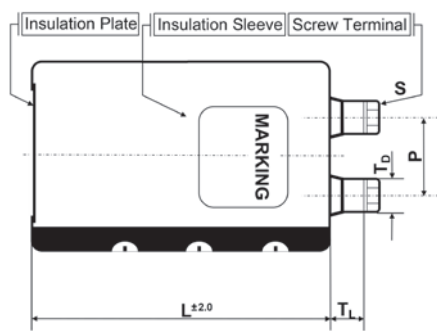
> Screw Type Outline Drawings · Schraubanschluß Typ Bauformen



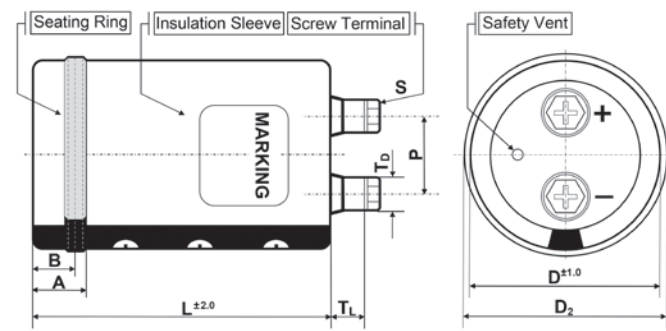
Shape · Form: **B = stud bolt** (not isolated)



Shape · Form: **I, Y, X = bottom double sleeve**
for metal bracket mounting
I type: 2 fixing point – $\varnothing D = 36-90$ mm
Y type: 3 fixing point – $\varnothing D = 51-101$ mm
X type: 4 fixing point – $\varnothing D = 121$ mm



Shape · Form: **N** (for PBT-Holder – $\varnothing D = 77-101$ mm or for press ring – $\varnothing D = 64-90$ mm or customized)



Shape · Form: **N** with Suffix **WC** (blank bottom and integrated seating ring for radiator mounting – $\varnothing D = 77-90$ mm)

Capacitor	Terminals (Standard)			Stud bolt	
	$\varnothing D$	P	S ¹⁾	$I_{r \max}$	$\varnothing D \times L$
36	12.7		M5x10	60A	M8x10
51	22.0		M5x10	60A	M12x16
64	28.6		M5x10	60A	M12x16
77	31.5		M5x10 ²⁾	60A	M12x16
			M6x12 ³⁾	100A	
90	31.5		M5x10 ²⁾	60A	M12x16
			M6x12 ³⁾	100A	
101	31.5		M6x12 ⁴⁾	100A	M12x16
			M8x16 ⁵⁾	120A	
121	41.5		M6x12	100A	-
			M8x16	120A	

¹⁾ First listed terminal is standard, if not mentioned in the product code

²⁾ All series except FXR, HCGW2, HCGW3, VFR, VFLR, VGR, VGLR

³⁾ FXR, HCGW2, HCGW3, VFR, VFLR, VGR, VGLR

⁴⁾ HCGF5, HCGF6, HCGW

⁵⁾ FX2