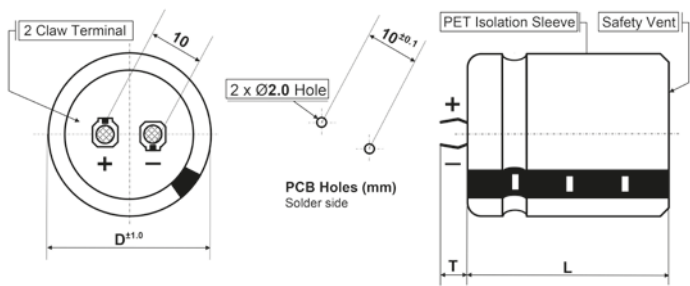
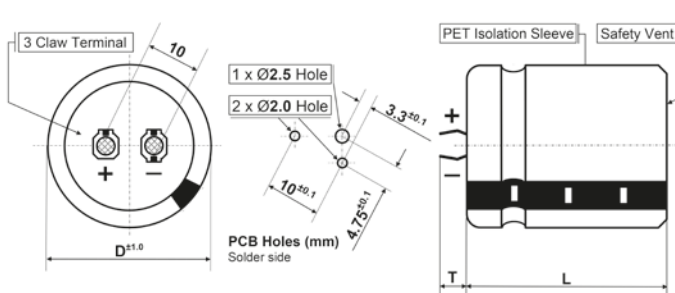


Snap-In

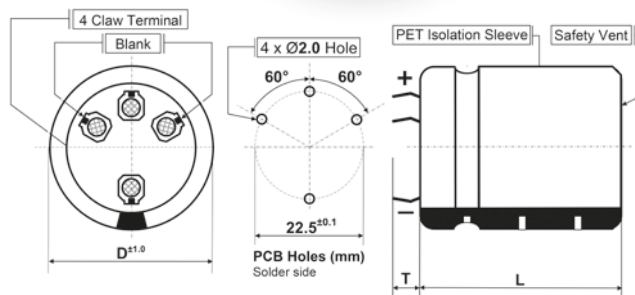
> Snap-in Outline Drawings · Snap-in Bauformen



Shape · Form: **C** (D = 20 ~ 35 mm, short pin **T** = 4.0 ± 0.5 mm)
R (D = 20 ~ 35 mm, long pin **T** = 6.3 ± 1.0 mm)

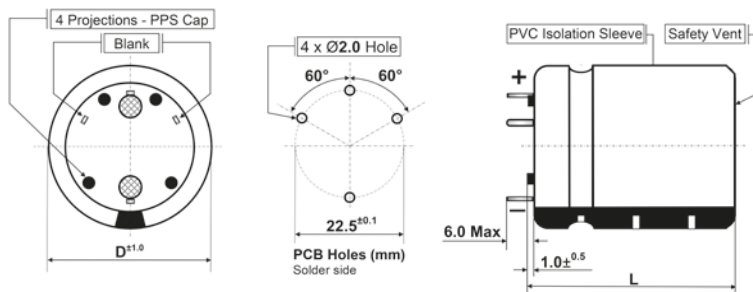


Shape · Form: **E** (D = 22 ~ 35 mm, **T** = 4.0 ± 1.0 mm)

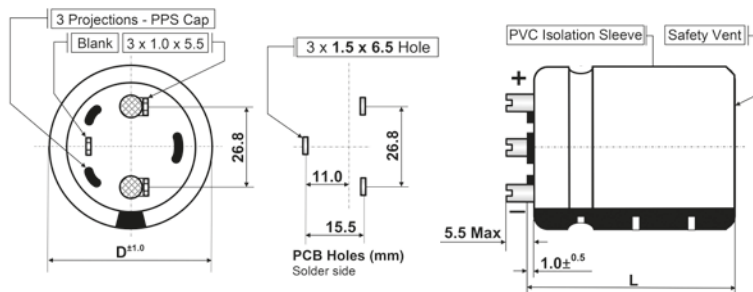


Shape · Form: **S** (D = 35 ~ 40 mm, standard **T** = 6.3 ± 1.0 mm)
X (D = 35 ~ 40 mm, short pin **T** = 4.0 ± 1.0 mm)

> Board-Mount Outline Drawings · Board-Mount Bauformen



Shape · Form: **S** (D = 41, 46 mm)



Shape · Form: **T** (D = 51 mm)

> Screw Type Outline Drawings · Schraubanschluß Typ Bauformen

Capacitor	Terminals (Standard)			Stud bolt
	ØD	P	S ¹⁾	
36	12.7	M5x10	60A	M8x10
51	22.0	M5x10	60A	M12x16
64	28.6	M5x10	60A	M12x16
77	31.5	M5x10 ²⁾	60A	M12x16
		M6x12 ³⁾	100A	
90	31.5	M5x10 ²⁾	60A	M12x16
		M6x12 ³⁾	100A	
101	31.5	M6x12 ⁴⁾	100A	M12x16
	41.5	M8x16 ⁵⁾	120A	
121	41.5	M6x12	100A	-
	41.5	M8x16	120A	

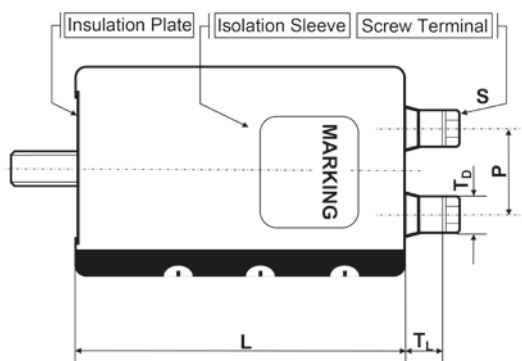


- ¹⁾ If not mentioned in the product code
- ²⁾ All series except FXR, HCGW2, HCGW3, VFR, VFLR, VGR, VGLR
- ³⁾ FXR, HCGW2, HCGW3, VFR, VFLR, VGR, VGLR
- ⁴⁾ HCGF5, HCGF6, HCGW
- ⁵⁾ FX2

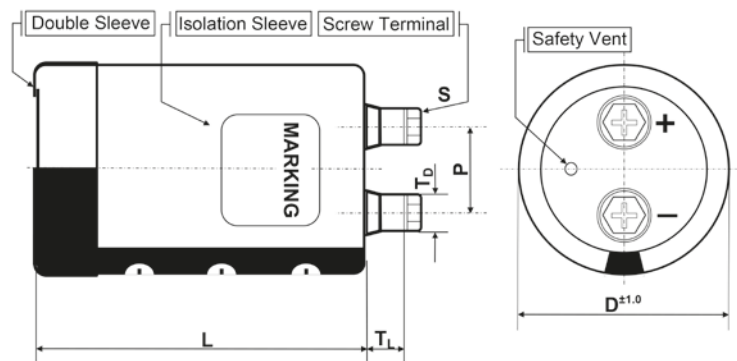
> Thread hole depth for terminals · Gewindebohrungstiefe für Anschlüsse

Cap material	Terminal	Series	Thread hole depth
PH	M5	HCGF5/-6, FX2/-3, HCGW/-2/-3, HCGH	9 mm
		VF(L), VG(L), VF(L)R, VG(L)R	10 mm
	M6	all	11 mm
PPS	M8	FX2	13 mm
	M5, M6	all	10 mm

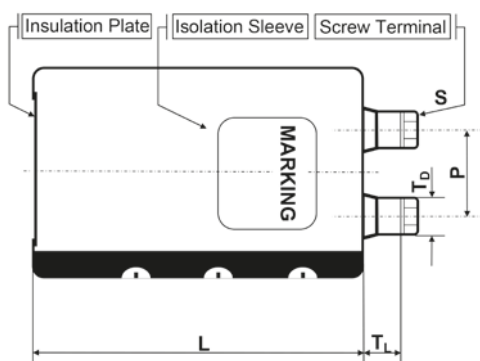
> Shape Code · Form Code



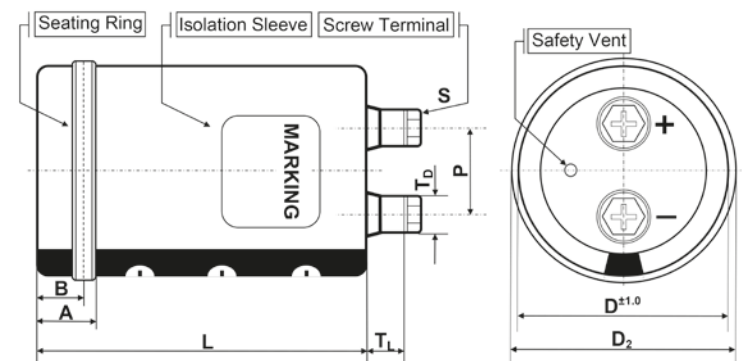
Shape · Form: **B**



Shape · Form: **Y**



Shape · Form: **N**



Shape · Form: **N with Suffix WC**