

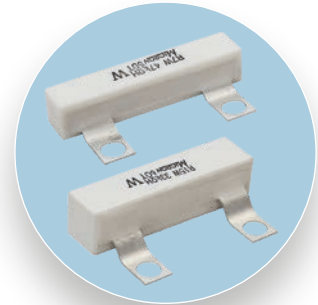
# Accessories · Zubehör

## Balancing Resistors · Symmetriewiderstände · TCR Series

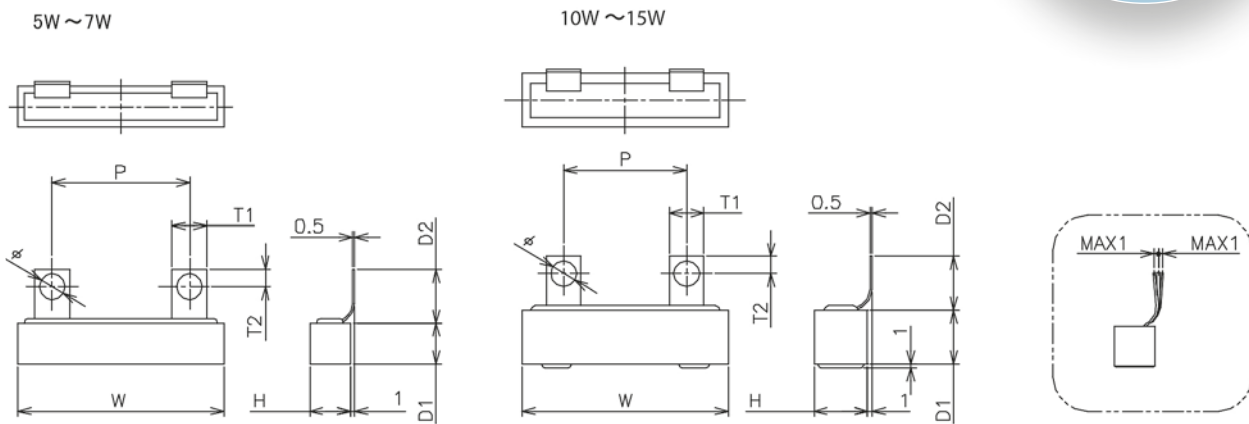
> Type, Rated Power, Resistance, Tolerance · Type, Leistung, Widerstand, Toleranz

Rated Power	Nominal Resistance Range
5W	100Ω ~ 81kΩ
7W	200Ω ~ 100kΩ
10W	200Ω ~ 150kΩ
15W	510Ω ~ 200kΩ

Resistance Tolerance	
Code	Tolerance
H	± 3%
J	± 5%
K	± 10%



> Shape · Bauform



> Rated Power, Dimensions · Leistung, Abmessungen

Rated power (W)	Installation pitch		Dimensions (mm)							
			P	W	H	D1	D2	T1	T2	Ø
05	L	22.0 ± 1.0	22.0 ± 1.0	35.0 ± 1.5	9.5 ± 1.0	9.5 ± 1.0	12.5	8.0	4.0	6.0
07	M	28.6 ± 1.0	28.6 ± 1.0	48.0 ± 1.5	9.5 ± 1.0	9.5 ± 1.0	12.5	8.0	4.0	6.0
07	W	32.0 ± 1.0	32.0 ± 1.0	48.0 ± 1.5	9.5 ± 1.0	9.5 ± 1.0	12.5	8.0	4.0	6.0
10	M	28.6 ± 1.0	28.6 ± 1.0	48.0 ± 1.5	12.5 ± 1.2	12.5 ± 1.2	12.5	8.0	4.0	6.0
10	W	32.0 ± 1.0	32.0 ± 1.0	48.0 ± 1.5	12.5 ± 1.2	12.5 ± 1.2	12.5	8.0	4.0	6.0
15	W	32.0 ± 1.0	32.0 ± 1.0	48.0 ± 1.5	12.5 ± 1.2	12.5 ± 1.2	12.5	8.0	4.0	6.0

> Product Code

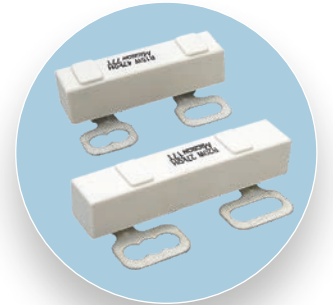
**Example: Series TCR**

<b>TCR</b>	<b>05</b>	<b>M</b>	<b>823</b>	<b>H</b>
<b>Element Identification Code</b>	<b>Rated Power</b> (for instance 5W)	<b>Terminal Pitch</b>	<b>Nominal Resistance</b> (for instance 82x103 Ω)	<b>Tolerance</b>
		W = 32.0 mm M = 28.6 mm L = 22.0 mm		
<b>Standard-Typen</b> (Other values on request · Andere Werte auf Anfrage):		TCR05L823H TCR05M823H	TCR07L683H TCR10M683H TCR10W683H	TCR10M473H TCR10W473H

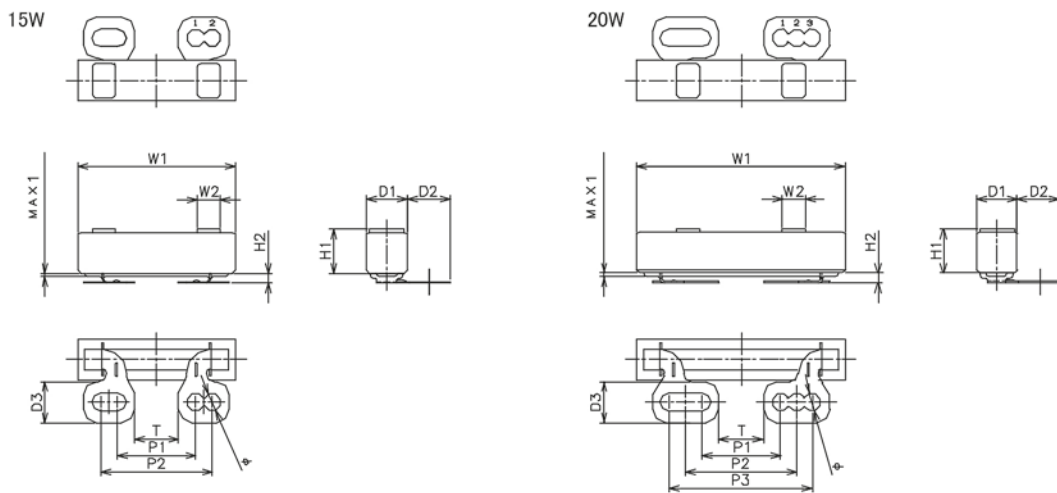
Balancing Resistors · Symmetriewiderstände · **CDR Series**

> Type, Rated Power, Resistance, Tolerance · Type, Leistung, Widerstand, Toleranz

TYPE	CDR07N	CDR15N	CDR15L	CDR20N	CDR20L
Capacitor terminal screw	M5	M5	M6	M5	M6
Hole diameter (mm)	5.4±0.4	5.4±0.3	6.5±0.3	5.4±0.3	6.5±0.3
Pitch dimensions of capacitor (mm)	27.5±1 to 32.0±1	26.0±1 to 32.0±1		26.0±1 to 41.5±1	
Rated Power	7W (max. voltage 450V DC)	15W (max. voltage 700V DC)		20W (max. voltage 750V DC)	
Resistance Range	200Ω ~ 63kΩ	510Ω ~ 200kΩ		510Ω ~ 240kΩ	
Tolerance	± 10% (K), ± 5% (J), ± 3% (H)				
Resistor Element	metal oxide film resistor				



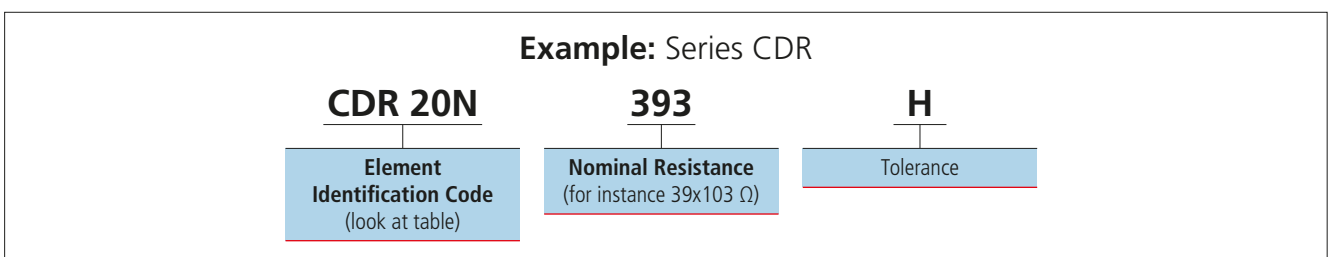
> Shape · Bauform



> Rated Power, Dimensions · Leistung, Abmessungen

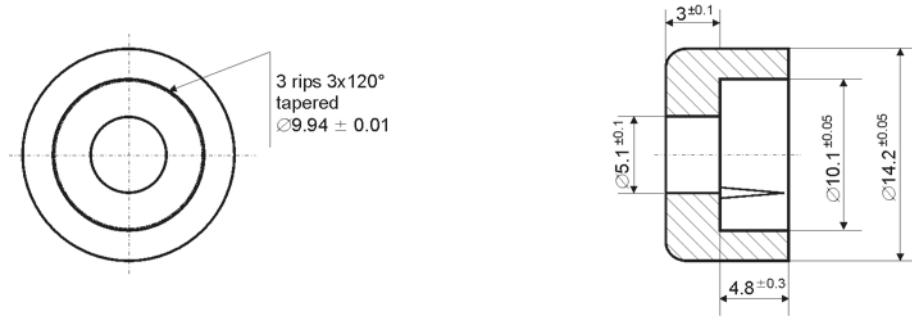
Rated power (W)		Dimensions (mm)										
		H1	H2	W1	W2	D1	D2	D3	P1	P2	P3	T
07	N	9.5±1.5	1.0±1.0	35.0±1.5	—	9.5±1.2	14.0±1.2	9.5	27.5±1.0	32.6±1.0	—	16.0±1.0
15	N	13.5±1.5	3.0±1.0	48.0±1.5	7.0±0.5	12.5±1.2	13.0±1.2	12.5	24.0±1.0	34.0±1.0	—	13.5±1.0
15	L	13.5±1.5	3.0±1.0	48.0±1.5	7.0±0.5	12.5±1.2	13.0±1.2	12.5	24.0±1.0	34.0±1.0	—	13.5±1.0
20	N	13.5±1.5	3.0±1.0	63.5±1.5	7.0±0.5	12.5±1.2	13.0±1.2	12.5	24.0±1.0	33.75±1.0	43.5±1.0	13.5±1.0
20	L	13.5±1.5	3.0±1.0	63.5±1.5	7.0±0.5	12.5±1.2	13.0±1.2	12.5	24.0±1.0	33.75±1.0	43.5±1.0	13.5±1.0

> Product Code



> Spacer cap for M5 terminal of AlMgSi<sub>1</sub> (Only for terminal with outer diameter 10mm)

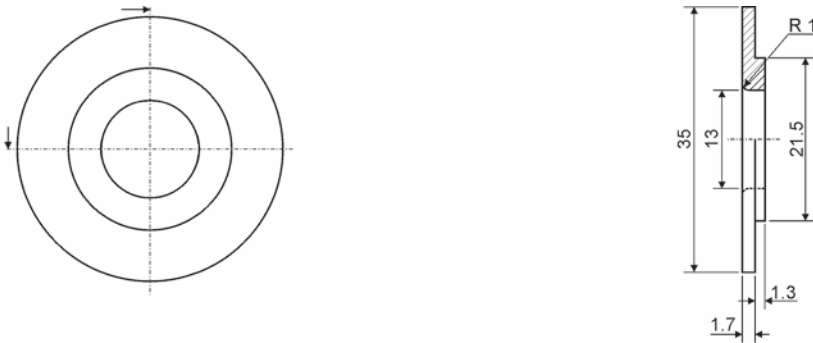
Distanzkappe für Anschlüsse M5 aus AlMgSi<sub>1</sub> (Nur für Anschluss-Außendurchmesser mit 10mm)



Product Code: **SC3 – 14M5**

> Insulating washer of Polyamide PA 6

Isolierscheibe aus Polyamid PA 6



Product Code: **IWD – 35 – 13 – UL**